

SM-215



ACOUSTIC & ELECTRICAL SPECIFICATIONS:

- Nominal Impedance 8 ohms
- Max Amp Power 175 watts
- Frequency Response 58Hz - 20kHz ($\pm 3\text{dB}$)
- Sensitivity 100 dB (1 watt @ 1 meter)
- Crossover Frequency 450 Hz/2.5 kHz

SYSTEM COMPONENTS:

- Cabinet SM215 (Not for Sale)
- Grille 333289-001
- Low Frequency Transducer 10" Nylon Laminated w/Cast Alloy Basket (333511-001)
- DC Resistance 3.5 ohms $\pm 10\%$
- Mid Frequency Transducer 5 $\frac{1}{4}$ " Nylon Laminated w/Cast Alloy Basket (333510-001)
- DC Resistance 3.7 ohms $\pm 10\%$

- High Frequency Transducer 1" (25mm) High-Output Fastglass Fiberglass Dome (333287-001)
- DC Resistance 3.6 ohms $\pm 10\%$
- Crossover Network 333293-001

AURAL SWEEP TEST SPECIFICATIONS:

- System Aural Sweep Test 6.0V Input 50 Hz to 20 kHz
- L.F. Aural Sweep Test 6.0V Input 50 Hz to 800 Hz
- M.F. Aural Sweep Test 4.0V Input 400Hz to 3 kHz
- H.F. Aural Sweep Test 2.83V Input 2 kHz to 20 kHz

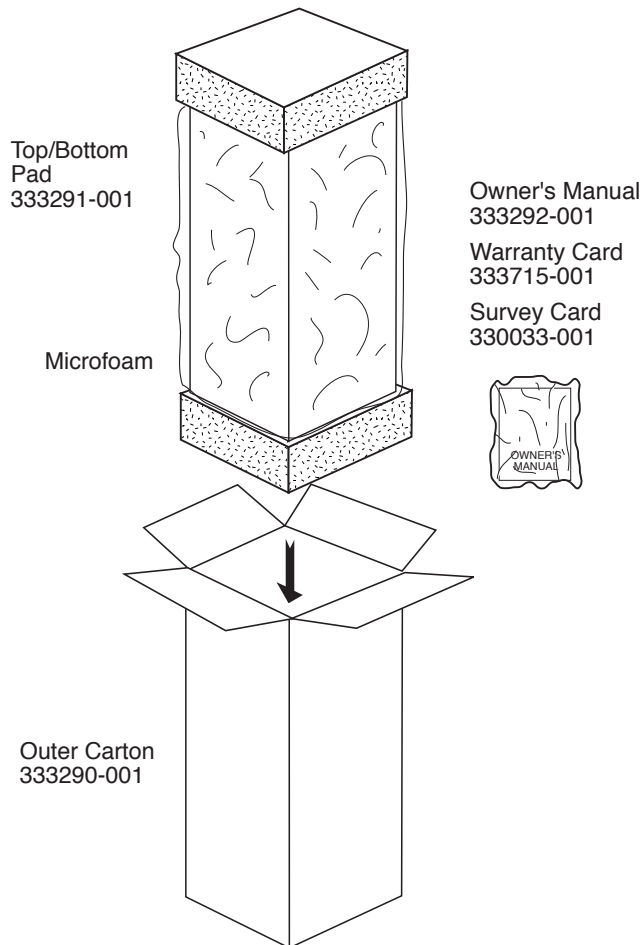
PHYSICAL SPECIFICATIONS:

- Enclosure dimensions: 32 $\frac{1}{4}$ x 13 $\frac{1}{4}$ x 12 $\frac{1}{2}$ " (H x W x D)
819 x 337 x 318mm
- Weight 56 lbs. (25.4kg) Each

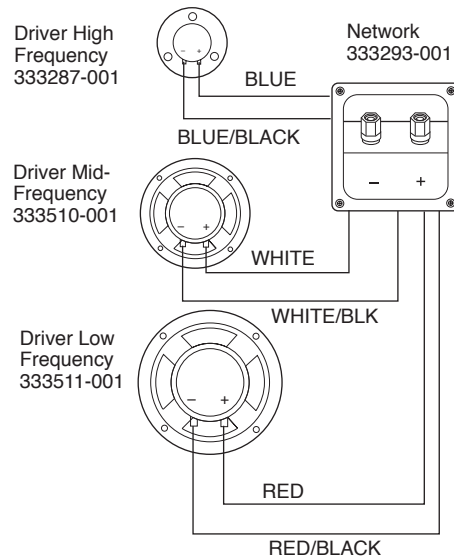
WARRANTY:

- Refer to Warranty Statement packed with each product.

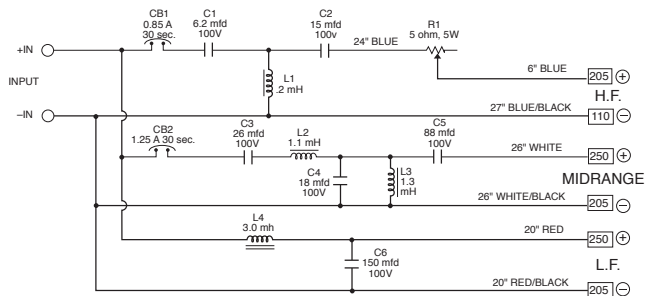
PACKAGING



WIRING DIAGRAM



SM-215 SCHEMATIC

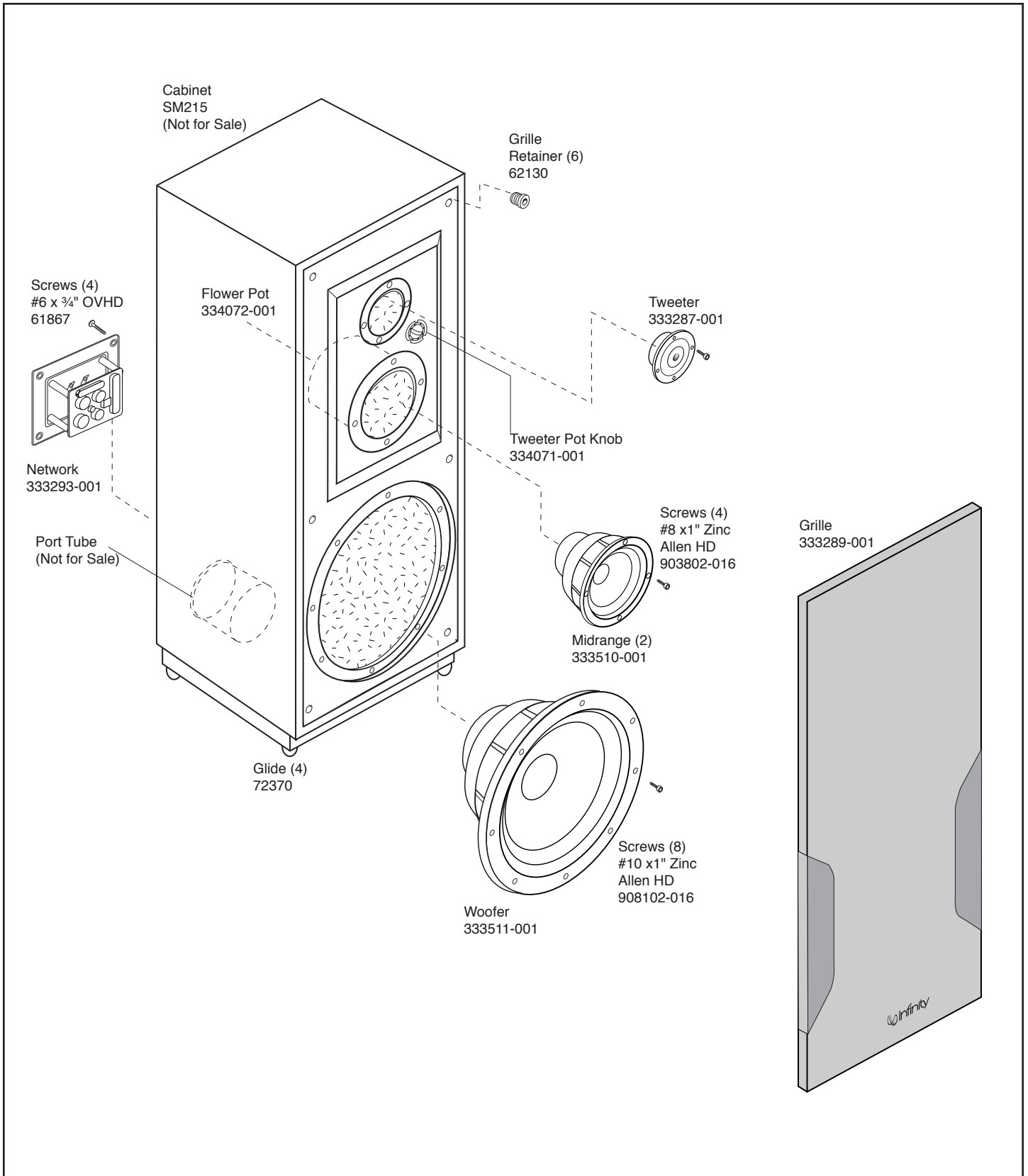


SM-215

SM-215



EXPLODED VIEW



SM-215