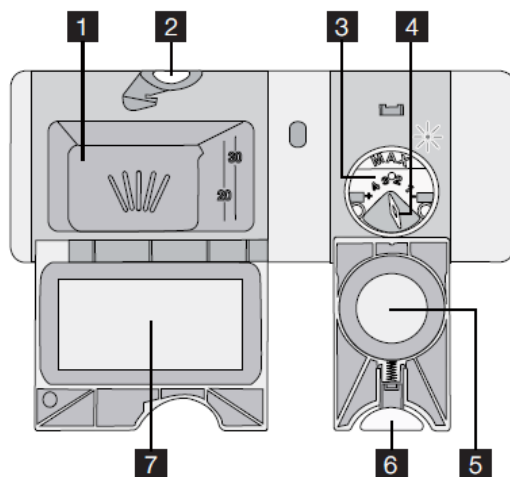


Use of detergent and rinse aid



Use of detergent



To help the environment, do not use more than the correct quantity of detergent. Follow the detergent manufacturer recommendations on the detergent packaging.

Do these steps to fill the detergent dispenser:

1. Press the release button **2** to open the lid **7** of the detergent dispenser.
2. Put the detergent in the dispenser **1**.
3. If the washing programme has a prewash phase, put a small quantity of detergent on the inner part of the appliance door.
4. If you use the detergent tablets, put the tablet in the detergent dispenser **1**.
5. Close the detergent dispenser. Press the lid until it locks into position.



Different brands of detergent dissolve in different times. Some detergent tablets do not have the best cleaning results during short washing programmes. Use long washing programmes when you use the detergent tablets to fully remove the detergent.

Use of rinse aid



Rinse aid makes it possible to dry the dishes without streaks and stains. The rinse aid dispenser automatically adds rinse aid during the last rinsing phase.

Do these steps to fill the rinse aid dispenser:

1. Press the release button **6** to open the lid **5** of the rinse aid dispenser.
2. Fill the rinse aid dispenser **3** with rinse aid. The mark 'max' shows the maximum level.
3. Remove the spilled rinse aid with an absorbent cloth to prevent too much foam during the washing programme.
4. Close the rinse aid dispenser. Press the lid until it locks into position.

Adjust the rinse aid dosage

Factory set: position 3.